

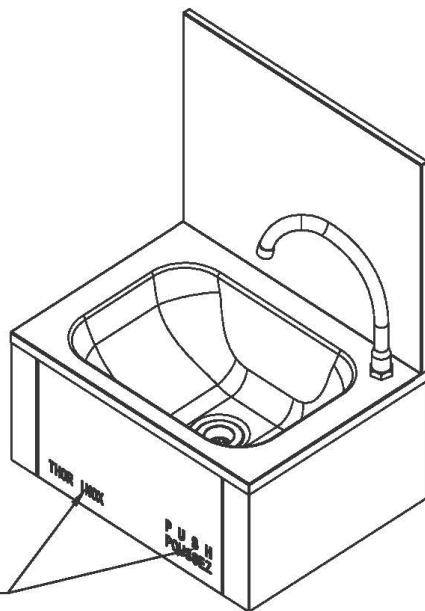
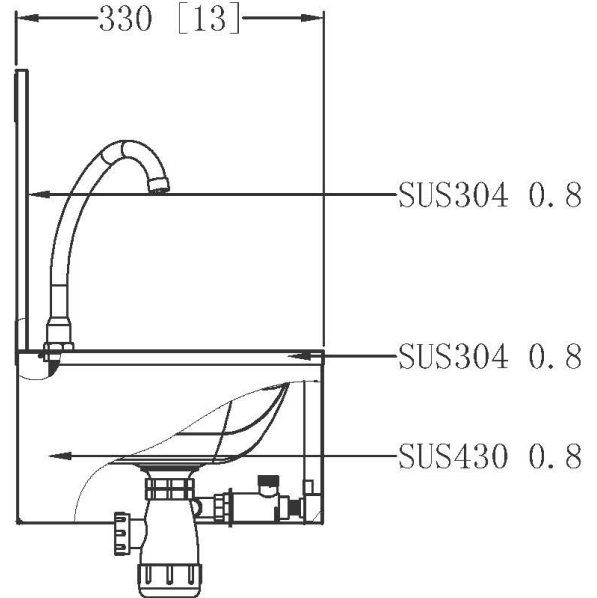
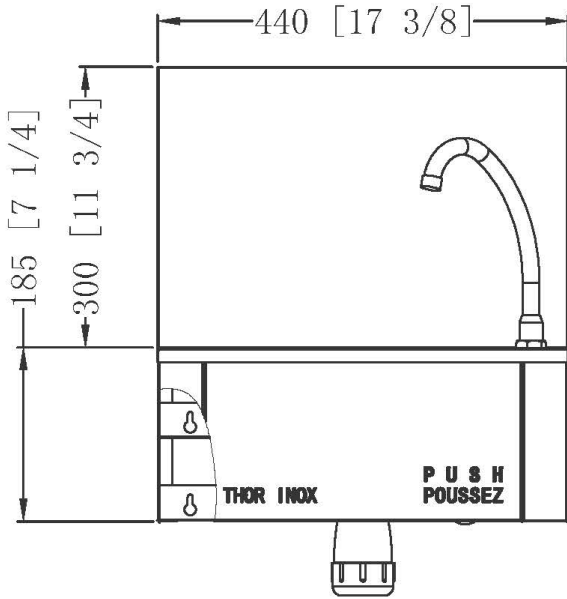
KNEE-OPERATED HANDSINK

TKS-1



FEATURES

- ✓ Made with high quality 16 gauge, 304 stainless steel
- ✓ Dimensions: 17" x 16" x 14"
- ✓ Knee-operated
- ✓ 3" drain pipe size



Laser printing

