

HSM Countertop Series Heated Shelf Merchandiser



Featuring exclusive Halo Heat® fanless technology, Alto-Shaam heated shelf merchandisers provide precise, even heating for the highest quality food and lowest cost of ownership.

The HSM holds a variety of grab-and-go products, including rotisserie chickens, pizza, sandwiches, and more. Improve store profits with hot, ready-to-eat meals. Convenient, fresh meals are displayed in an aesthetically pleasing, customizable merchandiser.

Experience better quality food with gentle, even and precise Halo Heat® fanless technology to keep food from drying out.

Flexibility to control individual shelf temperatures allows you to hold a variety of products at the proper temperature.

Boost impulse sales with LED-lighted shelves, backlit interchangeable graphics, and pricing rails.

Simple operation and easy cleaning keeps delis and grab-and-go areas operating smoothly.

Lowest cost of ownership on the market – cost savings of 50% compared to traditional models.

Easy-to-load shelves – pass-through option available for added convenience.

Made in the USA with a commitment to quality. Alto-Shaam is ISO 9001:2015-certified.

Standard Features

- Adjustable thermostat with a heat-on indicator light
- Latched access panel on the front of the merchandiser
- Four (4) 4" (102mm) legs

Capacity



12 HSM-24/3S-CT: Three (3) 20-7/8" (530mm) width shelves, four (4) chicken boats with dome cover per shelf.

18 HSM-36/3S-CT: Three (3) 32-7/8" (835mm) width shelves, six (6) chicken boats with dome cover per shelf.



HSM-24/3S-CT: 48 lb (22 kg) 16 lb (7 kg) per shelf

HSM-36/3S-CT: 72 lb (33 kg) 24 lb (11 kg) per shelf



HSM-36/3S-CT

HSM-24/3S-CT

Images include optional accessory signage panels

Configurations (select one)

Models

- HSM-24/3S-CT HSM-36/3S-CT

Electrical

- 120V, 1 PH (HSM-24/3S-CT ONLY)
 208-240V, 1PH
 230V, 1 PH

Style

- Reach-in Pass-through

Door Options

- None (reach-in models only)
 Rear swing (pass-through models only)
 Front swing (reach-in and pass-through models)

Display Base

- Adds 8" (203mm) to overall height
 HSM-24/3S-CT Display Base, with casters (5026172)
 HSM-24/3S-CT Display Base, with legs (5026180)
 HSM-36/3S-CT Display Base, with casters (5026176)
 HSM-36/3S-CT Display Base, with legs (5026182)

Accessories (select all that apply)

Unit ships without graphics unless selected

- Signage panel, POP Display
 Signage panel, shelf – Rotisserie Chicken
 Signage panel, shelf – Hot Sandwiches
 Signage panel, shelf – Barbecue Ribs
 Signage panel, shelf – Hot & Tasty
 Signage panel, shelf – Grab & Go
 Signage panel, shelf – Hot & Fresh

qty

Shelf insert for magnetic signage panels

Magnetic signage panels to be provided by customer.

HSM-24 - Stainless Steel (1027304) Black (PE-46057)

HSM-36 - Stainless Steel (1027305) Black (PE-46058)

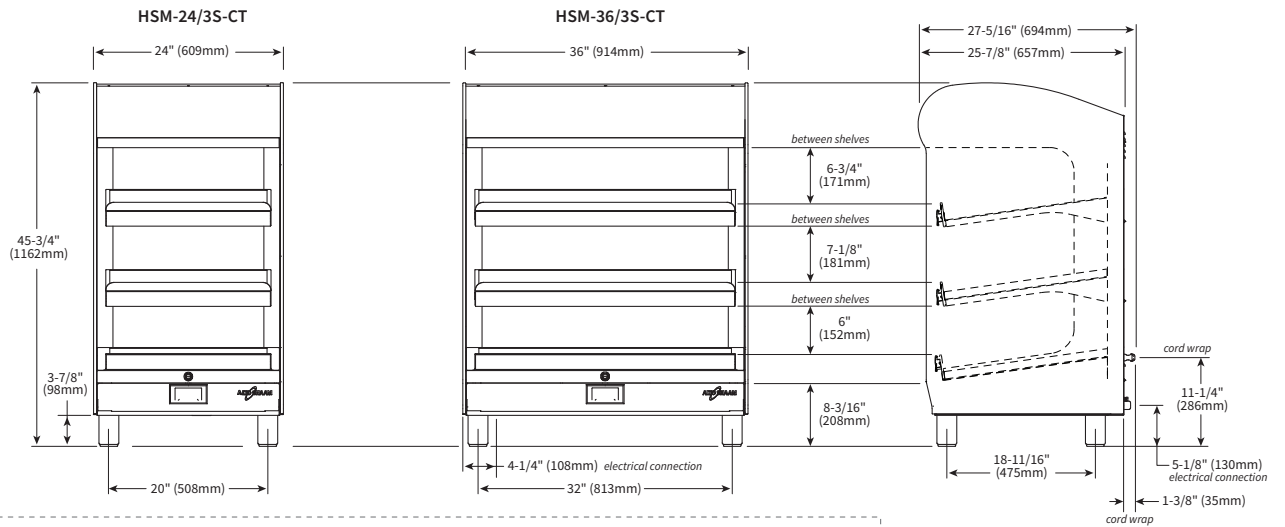
Wire shelf

- HSM-24 (SH-46066) HSM-36 (SH-46067)

HSM Countertop Series Heated Shelf Merchandiser

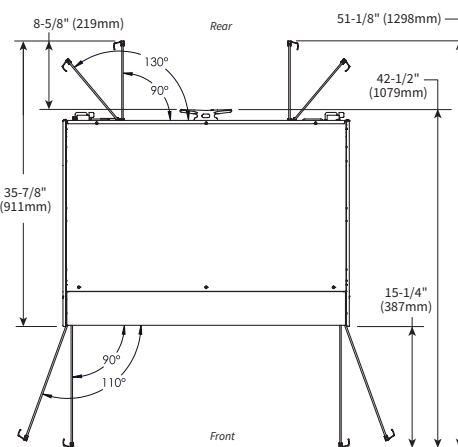
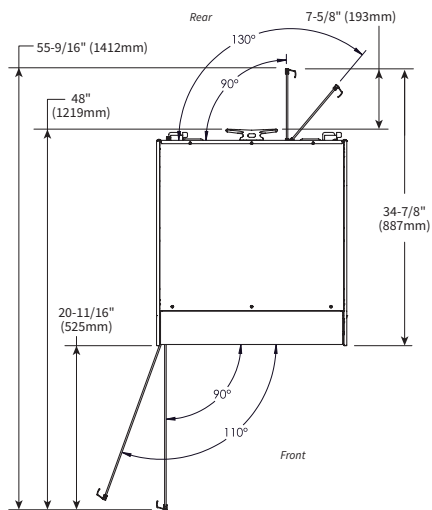
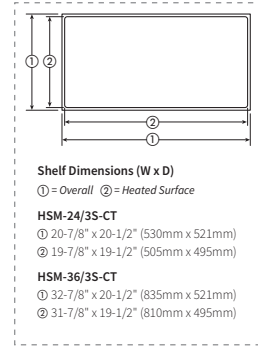
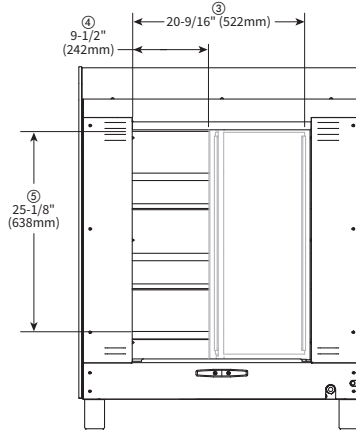
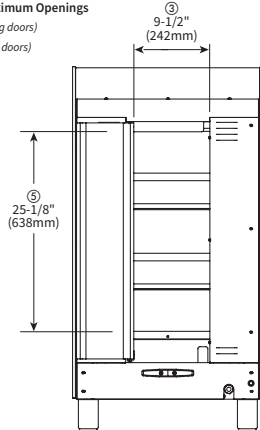


Dimension Drawings



Pass-Through Maximum Openings

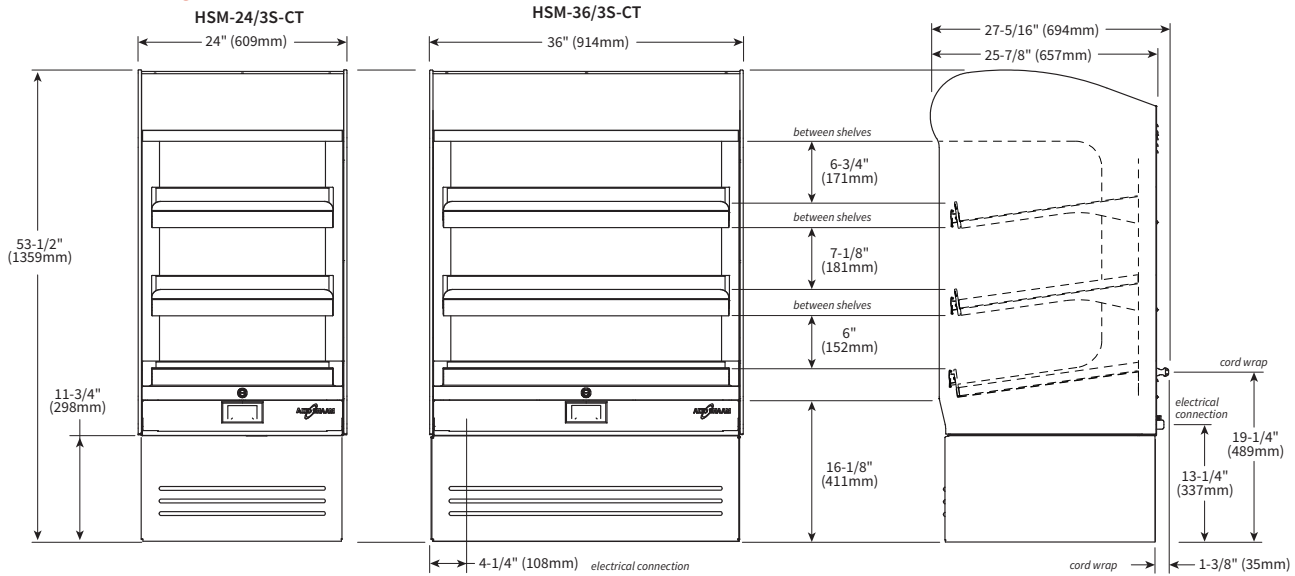
- ③ = Horizontal (swing doors)
- ④ = Horizontal (slide doors)
- ⑤ = Vertical



HSM Countertop Series Heated Shelf Merchandiser



Dimension Drawings - Display Base



Specifications



CHECK FIRST

- Merchandiser must be installed level.
- Merchandiser must not be installed in any area where it may be affected by steam, grease, dripping water, high temperatures, or any other severely adverse conditions.
- In order to maintain NSF standards, models must be equipped with 4" (102mm) legs or sealed at the bottom by NSF approved sealant.



CLEARANCE

Rear: 4" (102mm)

Recommended: 18" (457mm) for service access. Charges in connection with inadequate service access is not covered under warranty.



DIMENSIONS

Model	Exterior (H x W x D)
HSM-24/3S-CT	45-3/4" x 24" x 27-5/16" (1162mm x 609mm x 694mm)*
HSM-36/3S-CT	45-3/4" x 36" x 27-5/16" (1162mm x 914mm x 694mm)*

Net Weight
250 lb (113 kg)
311 lb (141 kg)

Model	Ship Dimensions (L x W x H)**
HSM-24/3S-CT	36" x 36" x 65" (914mm x 914mm x 1651mm)
HSM-36/3S-CT	56" x 45" x 65" (1422mm x 1143mm x 1651mm)

Ship Weight*
300 lb (136 kg)
417 lb (189 kg)

* Height = 53-1/2" (1359mm) with optional display base.

**Domestic ground shipping information. Contact factory for export weight and dimensions.



ELECTRIC

	V	Ph	Hz	A	kW	Plug Configuration
HSM-24/3S-CT	120	1	60	15.0	1.8	NEMA 5-20P (20A, 125V)
	208 – 240	1	60	6.5 – 7.5	1.4 – 1.8	NEMA 6-15P (15A, 250V) NEMA 6-20P (20A, 250V)
	230	1	50/60	7.0	1.7	CEE 7/7 CH2-16P BS 1363 AS 3112
HSM-36/3S-CT	208 – 240	1	60	8.8 – 9.2	1.9 – 2.5	NEMA 6-15P (15A, 250V) NEMA 6-20P (20A, 250V)
	230	1	50/60	9.0	2.0	CEE 7/7 CH2-16P BS 1363 AS 3112



NEMA 5-20P

NEMA 6-15P

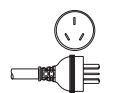
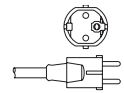
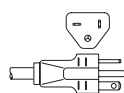
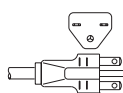
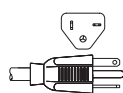
NEMA 6-20P

CEE 7/7

CH2-16P

BS 1363

AS 3112



CONTACT US

W164 N9221 Water Street | Menomonee Falls, Wisconsin 53051 | U.S.A.

Phone: 262.251.3800 | 800.558.8744 U.S.A./Canada | Fax: 262.251.7067 | alto-shaam.com