



RESOURCES



Sealed Well Electric Steam Table

**Stainless Steel
Sealed Well
Steam Table**



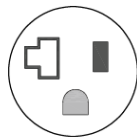
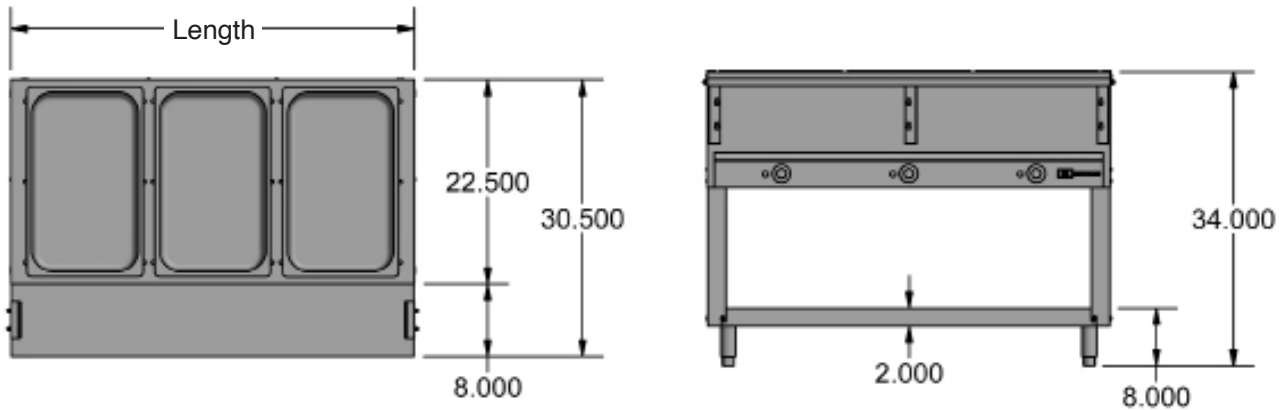
Features:

- Sealed well design
- Cutting board shelf
- Undershef to store food pans, lids and utensils when not in use
- Infinite temperate control
- 750W per well

Material:

- 20 Ga. Stainless Steel

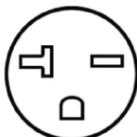
Model	Unit Size (W x L x H)	Number of Wells	Total Watts	Plug	Product Weight (lbs)
STESW-2-120	30 1/2" x 30 3/8" x 34"	2	1500	NEMA 5-20	85.00
STESW-3-240	30 1/2" x 44 3/8" x 34"	3	2250	NEMA 6-20	106.00
STESW-4-240	30 1/2" x 58 3/8" x 34"	4	3000	NEMA 6-20	135.00
STESW-5-240	30 1/2" x 72 3/8" x 34"	5	3750	NEMA 6-20	



NEMA 5-20 : - STESW-2-120



NEMA 6-20 - STESW-3-240



NEMA 6-20 - STESW-4-240 & STESW-5-240

PRODUCT DATA SHEET

RESOURCES

