



Item: _____

Quantity: _____

Project: _____

Deep Fat Fryer

Deep Fat Fryer

Models: RFT-25 RFT-2525 RFT-50 RFT-DS



Gas Type: Natural LP

Elevation (if above 2000 ft.): _____

Options and Accessories

- Stainless steel tank cover
- Stainless steel side splash guard
- Stainless steel joiner strip
- 48" quick disconnect and restraining cable
- 5" swivel casters (set of four - 2 locking)

Standard Features

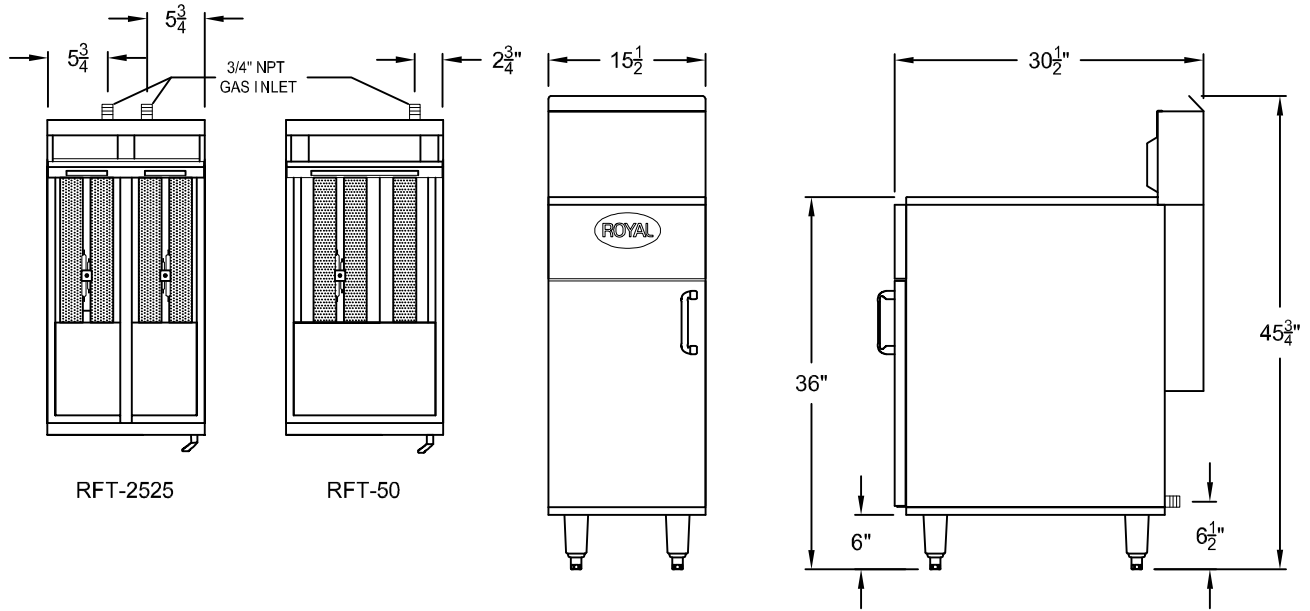
- All stainless steel front and sides
- 50 lb capacity stainless steel tank assembly (RFT-50)
- 25 lb capacity stainless steel tank assembly (RFT-25)
- Frying Area: 14" x 14" (RFT-50), 6¾" x 14" (RFT-25)
- Cast iron burners rated at 38,000 BTU/hr each
- Millivolt control system with 100% safety shut off
- Thermostatic control with 200° - 400° F range
- Twin fry baskets with plastic coated handles for ease of handling
- 1¼" full port drain valve
- 6" high adjustable heavy duty legs
- Five year limited (prorated) warranty on S/S tank
- DS - Dump Station



Royal Range of California, Inc.
 3245 Corridor Dr. • Eastvale, CA 91752 • (800) 769-2414 • (951) 360-1600
 Fax: (951) 360-7500 • www.royalranges.com • sales@royalranges.com



Deep Fat Fryer



Model Number	Cooking Area	Number of Burners	Total BTU	Ship Weight
RFT-25	6 ³ / ₄ " x 14"	2	76,000	115 lbs.
RFT-2525	(2) 6 ³ / ₄ " x 14"	4	152,000	230 lbs.
RFT-50	14" x 14"	3	114,000	210 lbs.
RFT-DS				130 lbs.

Notes:

- Burner rated at 38,000 BTU/hr each

Gas Connection:

3/4" NPT on the left hand rear of the appliance.
No external pressure regulator required.

Gas Pressure:

4" W.C.	Natural Gas
11" W.C.	Propane

Clearances:

	Combustible	Non-Combustible
Rear	6"	0"
Sides	6"	0"

Specify type of gas and altitude, if over 2,000 feet, when ordering.

Due to continuing product development to ensure best possible performance, these specifications are subject to change without prior notification.