



Project _____
 Item # _____
 Quantity _____

KATTEX™

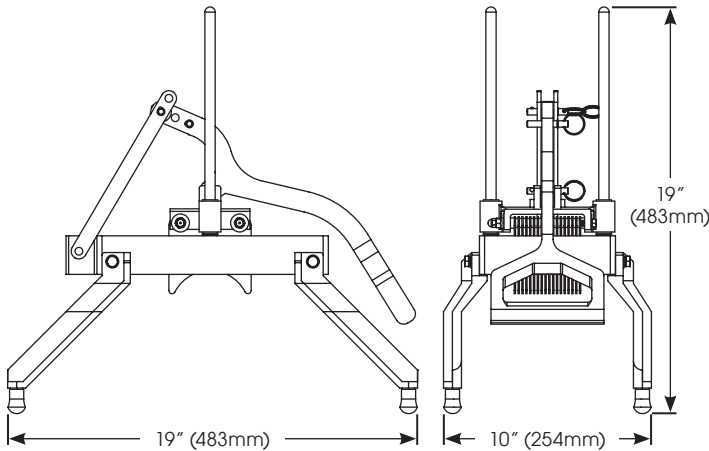
Quick Slice Onion, Fruit & Vegetable Slicers

Models: OS-188 | OS-250

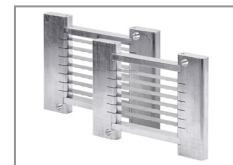
Just one smooth stroke of the Kattex Onion Slicer will produce evenly sliced coins of fruits and vegetables, perfect on salads, in cocktails and more.

Standard Features

- ◆ Aluminum construction with stainless steel blades
- ◆ Unique lever-handle allows for quick and easy operation
- ◆ Sturdy base with non-skid feet
- ◆ Two blades included can be stacked to create a finer cut
- ◆ 4-1/2" x 3-3/4" cutting area
- ◆ NSF listed



OS-188B



OS-250B

Parts & Accessories

- OS-188B 3/16" Blade Set Assembly for OS-series, 2-Pcs/Set
- OS-250B 1/4" Blade Set Assembly for OS-series, 2-Pcs/Set
- KAT-FE 4-Pc Replacement Feet Set
- KAT-BS-OT 4-Pc Replacement Bushings
- KAT-WR Dual-Sided Wrench

MODEL	DESCRIPTION	OVERALL DIMENSIONS			BOX DIMENSIONS			SHIP WEIGHT
		LENGTH	DEPTH	HEIGHT	LENGTH	DEPTH	HEIGHT	
OS-188	3/16" Blade Slicer	19" (483mm)	10" (254mm)	19" (483mm)	15-3/8" (390mm)	8-7/8" (225mm)	13-13/16" (350mm)	17.79 lbs (8.06 kg)
OS-250	1/4" Blade Slicer							

Product Specs Quick Slice Onion Slicers

The Quick Slice Onion Slicers models OS-188 and OS-250 as manufactured by Winco®, Lodi, NJ 07644.

The Quick Slice Onion Slicers shall be constructed of aluminum with stainless steel blades. Units are equipped with a unique lever-handle allows for quick and easy operation and a sturdy base with non-skid feet. The 4-1/2" x 3-3/4" cutting area has two blades included which can be stacked to create a finer cut. Units are NSF listed.

For California Customers
 ⚠ **WARNING:** Cancer and Reproductive Harm - www.P65Warnings.ca.gov

Winco®, DWL International Trading, LLC

New Jersey Headquarters:
 65 Industrial Road, Lodi, NJ 07644
 Tel. 1.888.946.2682 | Fax: 1.888.946.2632

California Distribution Center
 14950-14952 Valley View Avenue, La Mirada, CA 90638
 Tel. 1.888.946.2652 | Fax: 1.562.926.5678

Florida Distribution Center
 10800 NW 103rd St. Bldg 22, Ste 11, Miami, FL 33178
 Tel. 1.786.536.4656

www.wincous.com | equipsales@wincous.com