

SOMERSET®

Tel: 978.667.3355

800.772.4404

Fax: 978.671.9466

Email: somerset@smrset.com

www.smrset.com



HEAVY DUTY FONDANT SHEETERS

*Ideal for Rolling Cake
Fondant, Sugar Icing
& Sugarpaste —
IN SECONDS*

*Take the hard work and
intensive labor out of
covering cakes with the
WIDEST SHEETER available.*

Highlights:

- Greatly reduces labor costs and increases profits.
- Increases production of rolled fondant cakes; resulting in higher cake revenues.
- Uniform thickness makes rolled fondant cakes more palatable for your customers.
- Roll fondant up to 30" (76cm) wide in a matter of seconds.
- Eliminates hand rolling of fondant.
- Keep up with modern and latest cake decorating trends.
- Fondant flower decorations

Safe, quick and easy operation.

CDR-600F

Create sheets up to
30" (76cm) wide!

CDR-500F

Create sheets up to
20" (51cm) wide!

CDR-300F

Create sheets up to
15" (38cm) wide!

CDR-100

Create sheets up to
10" (25cm) wide!



*May also be used for
pastry production.*

SOMERSET

FONDANT SHEETERS

SEEN ON THESE TOP CHANNELS AND MORE! CAKE SHOWS AND COMPETITIONS.



FEATURES

- Synthetic rollers eliminate dough build up
- Safety sensors for automatic shutoff
- Compact design, ideal for use in limited space
- Sanitary, heavy duty, all stainless steel welded construction
- Spring loaded scrapers; easy removal for easy cleaning

- Simple handle adjustments for exact, uniform dough thickness
- Ergonomic design makes it easy and simple to operate
- Drive mechanism isolated from roller area
- Safe, simple, easy to operate, easy to clean

SPECIFICATIONS

Scrapers: Synthetic, spring loaded, removable

Rollers: Synthetic, non-sticking

Bearings: Sealed ball bearings

Gear Motor: Heavy duty 3/4 HP, 1 phase 115v/60Hz or 220v/50Hz

Finishing: All stainless steel

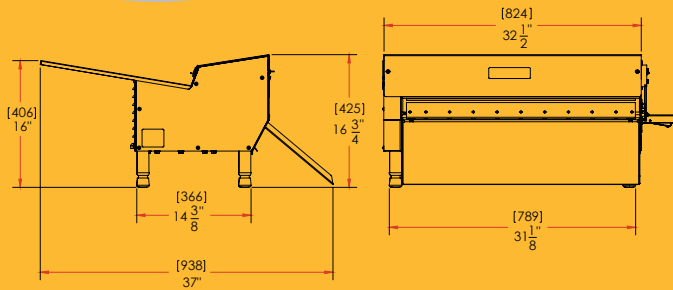
Legs: 4" adjustable

Discharge: Large all stainless steel tray

DIMENSIONS

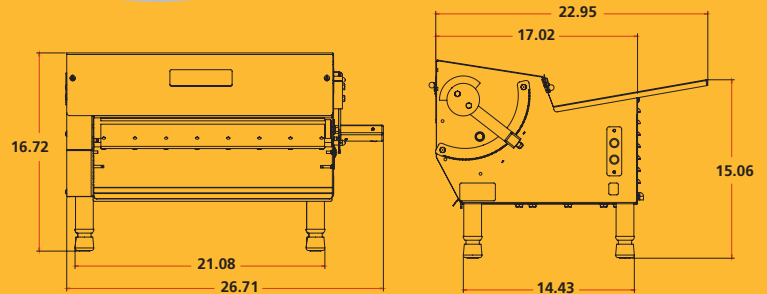
(Specifications subject to change without notice)

CDR-600F



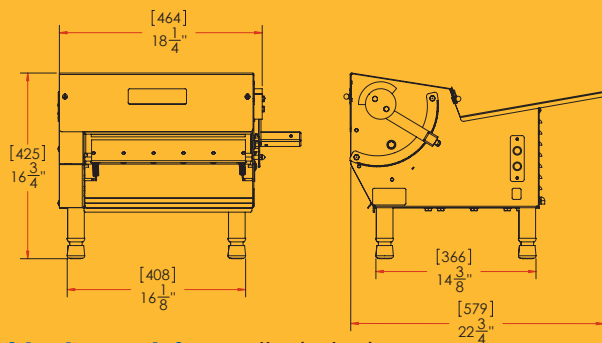
Shipping Weight: 225lbs (102 kgs)

CDR-500F



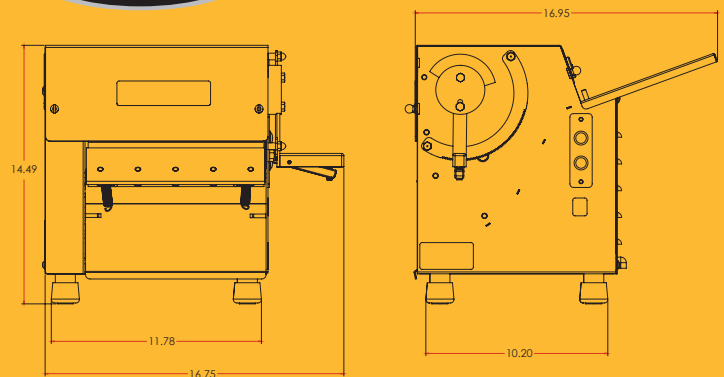
Shipping Weight: 150 lbs (68 kgs)

CDR-300F



Shipping Weight: 130 lbs (60kgs)

CDR-100



Shipping Weight: 70lbs (32kgs)



APPROVED

MADE IN THE U.S.A. 05.03.13