



J E T A I R O V E N



Jet Air Convection Oven, Electric or Gas, Capacity (6) 18" x 26" Pans, Integrated Steam Injection (Shot & Pulse) System, Reversing 2-Speed Fan System, Delay Timer, Programmable Controls, Timer, Full View Glass Doors, Interior Lights, Stainless Steel Construction, cETLus, NSF



Controller im-
age need to be
update with
ebake

PROJECT _____
ITEM NO. _____
NOTES _____
MODEL NUMBER: **JA6 , JA6G , JA6SL**



*SHOWN ON JA6B STAND

FEATURES

- Advanced Programmable Controls
 - 99 Programmable Recipes
 - 8 Stage Baking
- Digital Temperature Control up to 500°F (260°C)
 - Fast Preheat (reaches temperature in 15 minutes)
- Digital Timer
- Jet Air Reversing Fan System with Variable Air Speeds & Fan Delay (some pan rotation required)
- Door Switch Cutoff for Fan Blower
- Shot & Pulse Steam Capabilities
- Available in Energy Efficient Gas or Electric
- USB Port for Uploading & Downloading Recipes

CONSTRUCTION

- Stainless Steel Construction
- Full View Heat Reflective Thermal Glass Doors with Magnetic Latches
- Brightly Lit Interior
- Fully Insulated and Completely Sealed
- Four Swivel Casters (2 locking)

CLEARANCES

- Minimum Clearance from Combustible Materials:
- 1" (25mm) Sides & Back
 - 4" (102mm) on Non-Combustible Floor
 - 12" (305mm) Top

OPTIONS & ACCESSORIES

- Water Filter (PLF240) [Recommended]
- High Temperature Gasket (HTG001) [Recommended for Temperatures above 400°F/205°C]
- Gas Quick Disconnect Kit: 4' (1200mm); includes flexible hose, ball and securing device (GAH600)
- Perforated Nickel Plated Pizza Decks (GRPIZ6)
- JA6 Stand on Casters (JA6B)
- JA6SL Stand on Casters (JA6SLB)

WARRANTY

- One Year Labor & Two Year Part



Model	Crated Weight	Overall Dimensions			Interior Dimensions			Pan Capacity (18"x26")	Shelf Spacing
		W	D	H	W	D	H		
JA6	700 (318)	36 1/2" (927)	48 1/4" (1226)	34 3/4" (883)	25 1/2" (548)	30 1/2" (775)	26 1/4" (667)	6	3 1/2" (89)
JA6G	760 (345)	36 1/2" (927)	52 3/4" (1340)	34 3/4" (883)	25 1/2" (548)	29 1/2" (749)	26 1/4" (667)	6	3 1/2" (89)
JA6SL	700 (318)	38 3/8" (975)	37 5/8" (956)	34 5/8" (879)	26 3/4" (679)	19 1/2" (495)	26 1/4" (667)	6	3 1/2" (89)

SPECIFICATIONS SUBJECT TO CHANGE WITHOUT NOTICE

KCL & REVIT DRAWINGS UPON REQUEST

REVISION A | 4/19/2021

Follow Us



Doyon

5600 13th Street, Menominee, MI 49858

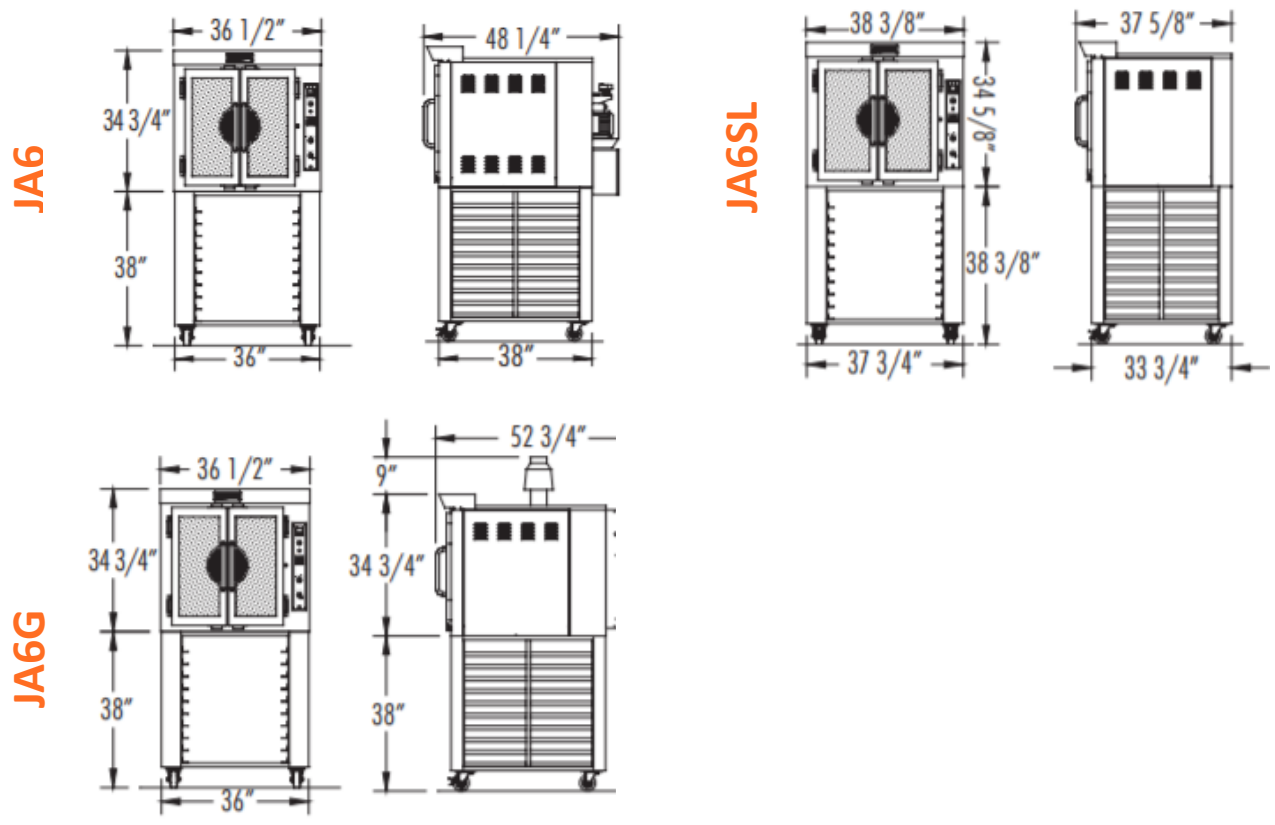
906.863.4401 | 800.338.9886 | www.doyon.qc.ca





PROJECT _____
 ITEM NO. _____
 NOTES _____
 MODEL NUMBER: **JA6 , JA6G , JA6SL**

DRAWINGS



JA6, JA6SL ELECTRICAL SYSTEMS DATA

Model	Electrical System *ground wire not included					
	Volts	Phases	Amps	kW	Wires*	Hz
JA6	208	1/3	51/33	10.7	2/3	60
	240	1/3	45/28	10.7	2/3	
JA6SL	208	1/3	51/33	10.7	2/3	60
	240	1/3	45/28	10.7	2/3	

JA6G GAS/ELECTRICAL SYSTEMS DATA

Model	Gas System			Water Inlet	Electrical System *ground wire not included					
	BTU	D.H.	G.I.		Volts	Phases	Amps	kW	Wires*	Hz
JA6G	65,000	4" (102)	1/2" (13)	1/4"	120	1	6.5	0.8	2	60

Recommended Gas Pressure | Propane Gas: 11" W.C. Natural Gas: 7" W.C.

