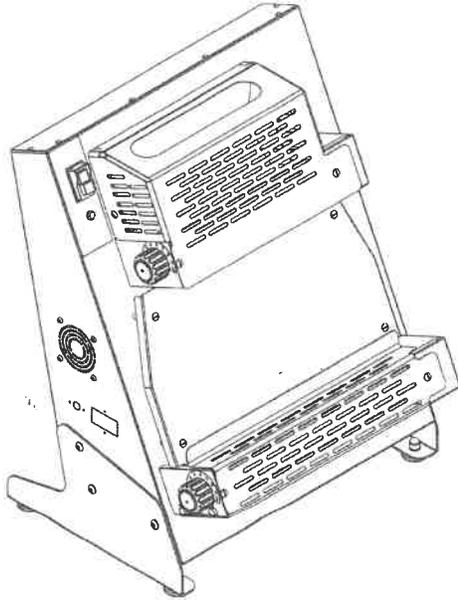


USER AND MAINTENANCE MANUAL



Ed. 02/2020

Rolling machine

INTRODUCTION

- *This manual provides the client with information about the machine and applicable regulations, as well as the user and maintenance instructions required to use the machine properly and keep it in good working order.*
- **The manual must be made available to all users and maintenance technicians.**

CONTENTS

CHAP. 1 - INFORMATION ABOUT THE MACHINE	4
1.1 - General precautions	
1.2 - Safety equipment	
1.3 - Description	
1.3.1 - General description	
1.3.2 - Construction	
1.4 - Structure of the machine	
CHAP. 2 - TECHNICAL DATA	7
2.1 - Overall dimensions, weight, specifications	
CHAP. 3 - DELIVERY	8
3.1 - Shipping	
3.2 - Checks on delivery	
3.3 - Disposing of packaging	
CHAP. 4 - INSTALLATION	9
4.1 - Positioning	
4.2 - Electrical hookup	
4.3 - Wiring diagrams	
CHAP. 5 - USE	12
5.1 - Adjustments	
5.1.1 - Setting the thickness of the dough	
5.2 - Standard version controls	
5.3 - Plus version controls	
5.4 - Start up	
5.5 - Using the pedal control (PLUS version only)	
CHAP. 6 - CLEANING THE MACHINE	14
6.1 - General information	
6.2 - Maintenance	
6.3 - Lubricating the shafts and rollers	

CHAP. 7 - MAINTENANCE	15
7.1 - General information	
7.2 - Power cable	
CHAP. 8 - DISMANTLING AND DISPOSAL	15
8.1 - Decommissioning	
8.2 - Disposal	
8.3 - WEEE (Waste Electrical and Electronic Equipment) regulations	

CHAP. 1 - INFORMATION ABOUT THE MACHINE

1.1 - General precautions

- The rolling machine may be used only by trained staff familiar with the safety information given in this manual.
- New staff must be trained in the use of the machine before using it.
- Do not use the rolling machine for any other purpose than rolling out soft pizza dough.
- **Before you clean or service the machine, disconnect it from its power supply.**
- The residual risks must be assessed when servicing or cleaning the machine with the guards removed.
- When servicing or cleaning the machine, concentrate on the job in hand.
- Periodically check the condition of the power cable; damaged or worn power cables pose a serious electrical hazard.
- If the machine is malfunctioning, do not use it; contact the Service Centre immediately.
- Do not attempt to make repairs yourself; always contact an authorised service centre.
- Never tamper with the machine in any way. Contact the manufacturer if you encounter any anomalies.
- Attempting to disassemble, modify or tamper with any part of the machine by the user or unauthorised personnel immediately voids its certification pursuant to Low Voltage Directive EEC 2006/42, voids the warranty and relieves the manufacturer of any liability for the consequences of such action.
- The manufacturer is also relieved of all liability for the consequences of:
 - ⇒ improper use or tampering with the machine by inadequately trained personnel;
 - ⇒ lack of or negligent maintenance;
 - ⇒ use of **non-original** spare parts which are not specified for the model;
 - ⇒ total or partial failure to follow the instructions given in this manual;
 - ⇒ use of unsuitable products to treat the machine's surfaces.

1.2 - Safety equipment

The mechanical and electrical safety equipment is conforming with Directives **UL 763** and **CSA 22.2**.

The rolling machine is equipped with an NVR device which prevents it from starting up automatically after a power failure. It is equipped with fixed roller guards which, in the PLUS version, can be removed and are fitted with

interlock switches which stop the machine when the hand guards are removed.

There are nevertheless "**RESIDUAL RISKS**" which cannot be completely eliminated, which are highlighted in this manual by the wording "**CAUTION**"; they are related to the risks of electric shock and crushing when loading and handling the product, as well as when cleaning the machine or using it improperly.

1.3 - Description

1.3.1 - General description

The rolling machine is designed and fabricated specifically to guarantee that:

- all its parts are stable and robustly constructed;
- it is perfectly hygienic, thanks to the careful choice of materials in contact with food products;
- maximum safety during use, cleaning and maintenance operations;
- its operating temperature is in a range from 15 °C to 45 °C.

1.3.2 - Construction

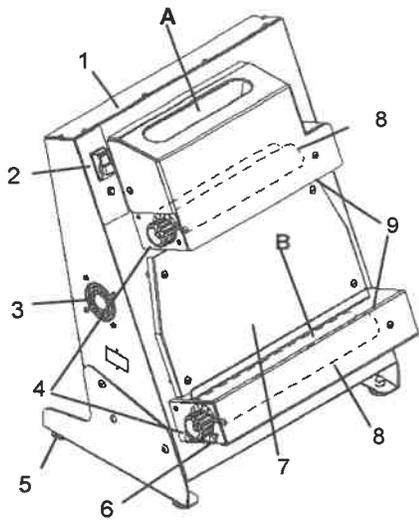
The rolling machine is made of AISI stainless steel throughout; this ensures that it is hygienic, unaffected by acid and salt, and very resistant to rusting.

The pair of PE 300 foodsafe rollers are driven by a worm screw gearmotor.

The PLUS version has an enamelled AISI 430 stainless steel slide, which is easy to remove when cleaning the machine.

A **start/stop** pedal can also be fitted to it through the provided socket. (PLUS version - optional equipment).

1.4 - Structure of the machine



LEGEND	
1	Frame
2	Controls/power led
3	Cooling fan
4	Adjuster knob
5	Foot
6	Scrapers
7	Slide
8	Rollers
9	Roller housing

Fig. n°1

A= Dough infeed top rollers
B= Dough infeed bottom rollers

CHAP. 2 - TECHNICAL DATA

2.1 - Overall dimensions, weight, specifications

Fig. 2 - Dimensions and clearances.

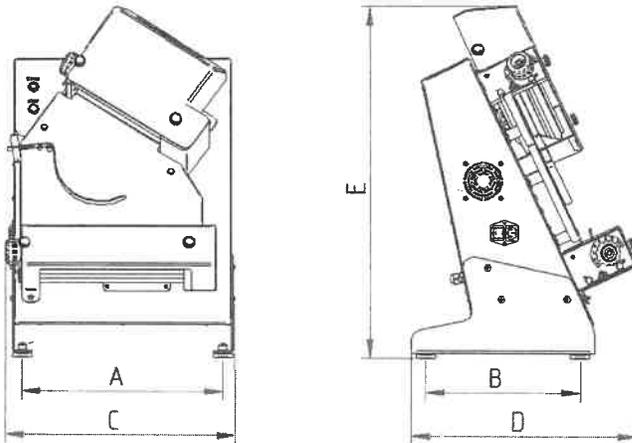


Fig. n°2

Model	AX-PZR-17
Power supply	250 watt/0,33 Hp
Power supply	120 V-1Ph-60Hz F+N
Motor speed	1400 r.p.m
Roller speed	96 r.p.m
A	mm 511
B	mm 315
C	mm 570
D	mm 463
E	mm 700
Weight of dough	gr 210-700
Pizza diameter	cm 26-40
Noise level	db ≤ 70
Net weight	Kg 48,5
Packaging dimension	750x580x1005
Gross weight	Kg 60,5



CAUTION!

The machine's electrical specifications are marked on its nameplate, mounted to the rear of the machine itself; before hooking the machine up electrically, refer to the section "Electrical hookup."

CHAP. 3 - DELIVERY

3.1 - Shipping (see Fig. 3)

The machines are carefully packed before shipping.

The packaging is made of:

- wood pallet
- robust cardboard external box with lateral supports, if needed
- the machine
- this manual.

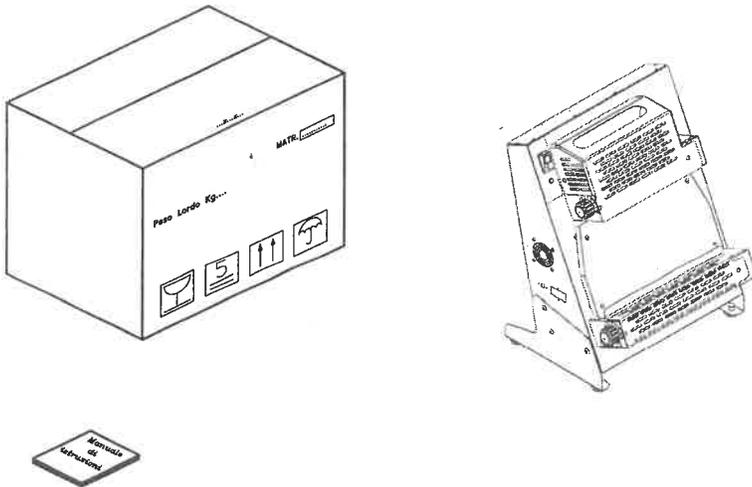


Fig. n°3

3.2 - Checks on delivery

When you receive the package containing the machine, carefully check the packaging for signs of damage during shipping. If the packaging shows signs of mishandling, impacts or dropping, report the damage to the shipping agent within three days of the date of delivery indicated on the documents and draw up a detailed report on any damage to the product.

3.3 - Disposing of packaging

The packaging materials (cardboard box, plastic strap and polyurethane foam) can be disposed of as normal domestic waste; there is no difficulty in disposing of them.

If the machine is installed in a country in which special regulations apply, dispose of the material in a regulatory manner.

CHAP. 4 - INSTALLATION

4.1 - Positioning

Place the rolling machine on a solid table about 80 cm off the ground, with a smooth non-slip surface, keeping at least a 10 cm distance from walls or any other surfaces which may block its ventilation. Keep the machine away from sources of heat and humidity. Remove the protective film - do not use tools which may damage the machine's surfaces while doing so. Carefully remove all process waste from the machine before using it.

4.2 - Electrical hookup

The machine has a power cable with a cross section of 3x16AWG a length of 1.6 m and a NEMA 5-15P plug. Hook the machine up to the 120 Volt 60 Hz power supply with a differential circuit breaker rated 0.03A. Check that it is properly earthed.

Also check that the information on the machine's nameplate match the specifications given in the delivery and shipping documents, and that both the master switch and cable are easily accessible while the machine is in use (see Fig. 4).

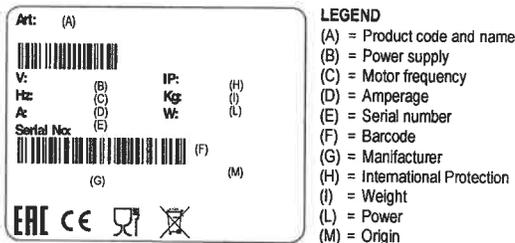


Fig. n°4

4.3 - Wiring diagrams

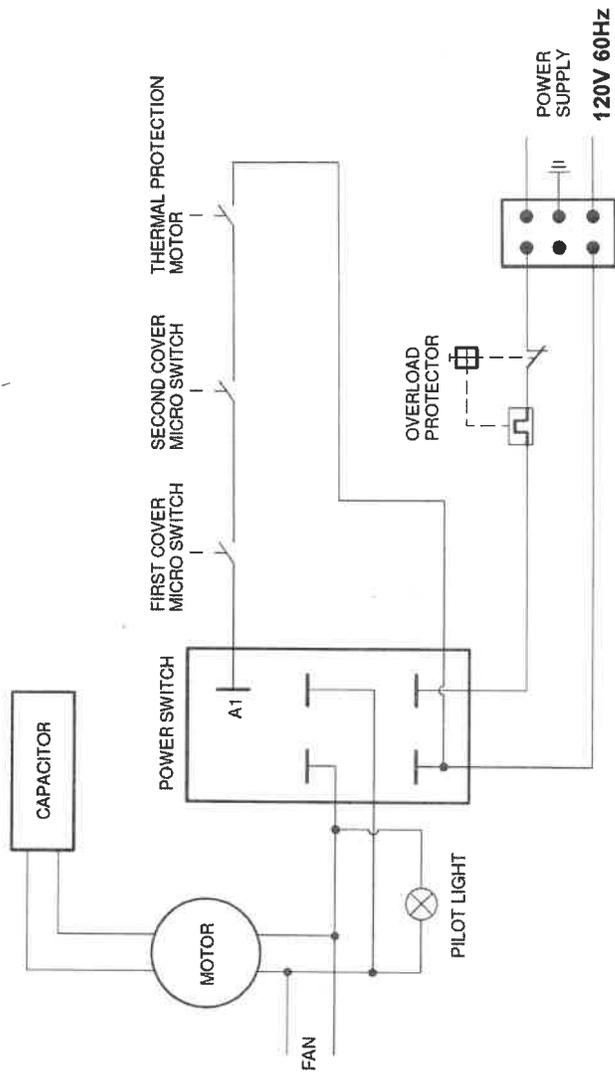
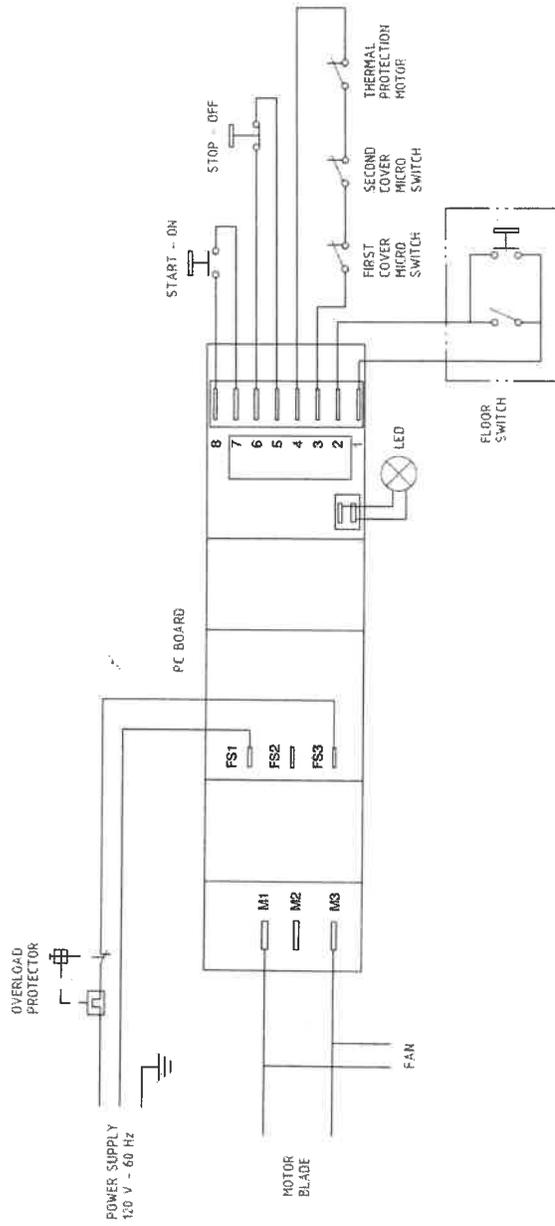


Fig. n°5

Model PLUS



11

Fig. n°6

CHAP. 5 - USE

5.1 - Adjustments

CAUTION!

All adjustments (adjuster knob and rocker) must be done with the machine shut off.

The following adjustments are for illustrative purposes only, since many different variables must be taken into account: the characteristics of the dough, its weight, thickness and form.

5.1.1 - Setting the thickness of the dough

This adjustment is done with the plastic knob, by setting the gap between the rollers; once the adjustment is made, the knob can be locked with a pawl.

For better results, we recommend adjusting the top and bottom rollers separately.

The thickness is set by rotating the knob (*Fig. 7*):

- **Minimum thickness** (0) turn counterclockwise.
- **Maximum thickness** (6) turn clockwise.

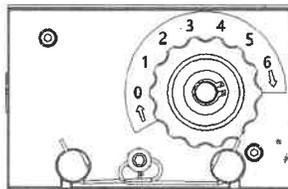


Fig. n°7

To make the adjustment, pull the knob out towards you (*Fig. 8*); this engages the spring, allowing you to make the adjustment.

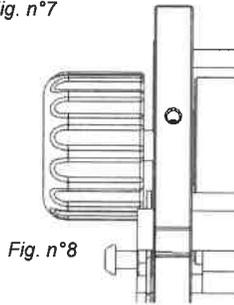


Fig. n°8

CAUTION!

Only run the dough through the rollers once, otherwise it may break up and become sticky.

5.2 - Standard version controls

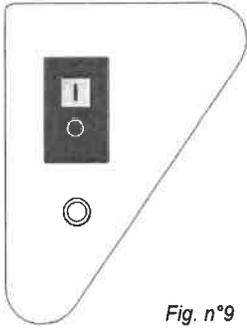


Fig. n°9



START button: starts the cycle.



OFF button: stops the cycle.

When the machine is running, the led under the controls turns on.

5.3 - Plus version controls

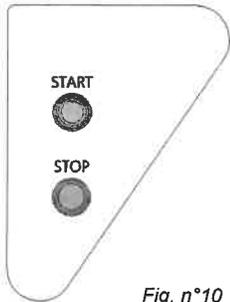


Fig. n°10



START button: starts the cycle. When the machine is running, the green led turns on.



OFF button: stops the cycle.

Start the machine without dough to check that it is working properly.

CAUTION!

The rollers must rotate downwards when viewed from the front.

The machine has been designed for food processing, to roll out flour products with a high water temperature (soft dough) without affecting the characteristics of the product.

5.4 - Start up

Press the **START** button; the rollers start to rotate and the machine is ready to use.

Before you insert the ball of dough into the opening (the dough must be lightly dusted with flour and risen for at least 6-8 hours), squash the front edge of

the ball into a wedge to help it run into the top rollers (*Fig. 1 letter A*). Use the adjuster knob to set the gap between the top rollers, the dough must be moved by hand from the top rollers to the bottom rollers by rotating it at 90° and feeding it through the second set of rollers (*Fig. 1 letter B*).

5.5 - Using the pedal control (PLUS version only)

The pedal control is supplied on request as an accessory for the Plus version. This function must not be confused with the OFF control (*Fig. 9 and 10*); it is designed solely to limit power consumption to when it is needed.

Hook the control pedal up by inserting the cable into the socket on the side of the machine.

CAUTION!

The machine works properly even without the use of the pedal control.

CHAP. 6 - CLEANING THE MACHINE

CAUTION! Before cleaning the machine, pull its plug out of the power socket to isolate the machine completely from the rest of the system.

6.1 - General information

The machine must be cleaned with neutral detergents at room temperature, using a soft damp cloth.

The machine must be cleaned carefully in all its parts, especially those that come into contact with food.

- Do not use a jet of water or a pressure cleaner to clean the machine.
- Do not use tools, scrubbing brushes or anything that may damage the machine's surfaces.
- Do not wash the machine or any of its parts in a dishwasher.
- Never use non-foodsafe, abrasive or corrosive chemical products when cleaning the machine.

Clean the machine after every use, as required by hygiene regulations in order to keep the machine in good working order.

Use a brush to remove most of the dough and flour residues. Take the two guards and slides off, release the springs, extract the scrapers and turn the adjuster knob so that the rollers are fully open. Carefully clean the machine and all its parts, including those you have disassembled, using a sponge or cloth with water and detergent.

Now rinse off all traces of detergent.

Dry the machine and its parts with foodsafe paper towel, then wipe over all parts that come into contact with food and the machine as a whole with a clean cloth soaked with food processing machinery disinfectant.

CAUTION! The PLUS version has an AISI 430 ceramic coated slide which is held in place with magnets so that it is easy to remove for cleaning; it is easier to remove the scrapers once the slide has been taken off. The hand guards are equipped with handles for easy removal.

6.2 - Maintenance

Before you use the machine, always check that it is perfectly clean in all its parts, especially those that come in contact with dough. Clean it as described above, if necessary.

6.3 - Lubricating the shafts and rollers

The shafts and rollers must be lubricated once a year.

Remove the plexiglass guards, slides, springs and scrapers, then undo the screws holding the back panel and mounts in place.

Extract the rollers and their couplings, then clean them carefully with a sponge with neutral foodsafe detergent and hand warm water.

Rinse them off and dry them with paper towel. Now lubricate the shafts and the holes in the rollers with paraffin oil.

Restore and secure all parts in reverse order with respect to removal.

CHAP. 7 - MAINTENANCE

7.1 - General information

CAUTION! Before you service the machine, **disconnect its power plug from the mains to isolate it completely from the rest of the system.**

7.2 - Power cable

Check the condition of the cable regularly and call the SERVICE CENTRE if it needs replacing.

CHAP. 8 - DISMANTLING AND DISPOSAL

8.1 - Decommissioning

If you decide to put the product out of service for any reason, make sure that it cannot be used by other persons: **disconnect and cut the electrical connections.**

8.2 - Disposal

Once the machine has been decommissioned, it can be disposed of. This should be done by a waste management company, and its materials sorted for disposal.

8.3 - WEEE (Waste Electrical and Electronic Equipment) regulations



Pursuant to Art. 13 of Italian Legislative Decree n. 151 of 25 July 2005 "Implementation of Directives 2002/95/EC, 2002/96/EC and 2003/108/EC relating to the reduced use of hazardous substances in electrical and electronic devices, and to waste disposal".

The rubbish bin symbol on the machine or on its package indicates that the product must be disposed separately from other waste, at the end of its useful life.

The recycling waste collection of this machine is organised and managed by the manufacturer. If the user wishes to dispose of this machine, they must contact the manufacturer and follow the given procedure to make sure the recycling waste collection procedure is followed at the end of the machine's useful life.

The correct disposal of the machine for subsequent recycling, management and treatment of its parts in an environmentally-friendly way contributes towards avoiding any possible adverse effects on the environment and promotes the reuse and/or recycling of the machine materials.

Unlawful disposal of the product by the user will lead to the application of administrative penalties under current law.

**SERVICE CENTRE
AUTHORISED RETAILER**