



# AX-513RH

**Half Size Convection Oven with Humidity  
Manual Controls - Reversing Fan - 3 shelves**



|                                     |  | <b>Features</b>   |
|-------------------------------------|--|---|
| <b>Manual controls</b>              | Time, temperature, humidity  |   |
| <b>Load capacity</b>                | 3 shelves for half size sheet pans                                     |   |
| <b>High speed reversing fan</b>     | 1 (3200 rpm)   |   |
| <b>Space between shelves</b>        | 3" (75 mm)   |   |
| <b>Power requirements</b>           | 1,650 Watts / 120 V / 60 / 1<br>Oven supplied with power cord and plug |   |
| <b>Temperature</b>                  | 86° - 540° F   |   |
| <b>Equipped with</b>                | 120 minute timer - Signal at end of cycle                              |   |
| <b>Cavity size (inches)</b>         | 18.7"x15"x9.6" (WxDxH)   |   |
| <b>Unit dimensions (inches)</b>     | 22.05" x 25.48" x 17.90" (WxDxH)                                       |   |
| <b>Shipping dimensions (inches)</b> | 23.63" x 26.77" x 19.69" (WxDxH)                                       |   |
| <b>Net / Ship weight</b>            | 62 lb / 73 lb  |   |
|                                     |  | <ul style="list-style-type: none"><li>• Advanced airflow design</li><li>• Automatic high speed reversing fan</li><li>• Manual control: 120 minute timer or continuous ON</li><li>• Interior halogen light</li><li>• Includes electro valve for direct water connection</li><li>• Micro safety switch shuts oven off when door is open</li><li>• Heavy duty stainless steel body construction</li><li>• "Cold Door" design with double pane glass</li><li>• Reinforced door hinges</li><li>• Oven door can support weight limit of 80 lbs.</li><li>• Oven cavity is insulated with ultra-high temperature fiberglass insulation</li><li>• 3 Stainless steel wire shelves</li><li>• Ovens can be stacked (kit required)</li><li>• Warranty: 2 years parts &amp; 1 year labor exclusive of lights, gaskets and glass</li></ul> |

## OVEN STANDS & PROOFERS



**AX-501 OVEN STAND**  
SHIP WT: 43 lbs

- HD stand with tray slides for half size sheet pans
- Dimensions: 23.30" x 20.87" x 31.50"
- Accommodates any "5" series ovens



**AX-PR5**  
SHIP WT: 133 lbs



- Capacity: 8 half size sheet pans
- Space between pans: 3"
- 208-240/60/1, 2000 Watts
- Heat setting up to 140°F
- Manual fill water supply in bottom tray

## CONVECTION ACCESSORIES



**DEFLECTOR**  
CODE: 124-DEF

- 1 is required for "5" series
- Air deflector plate for delicate baking

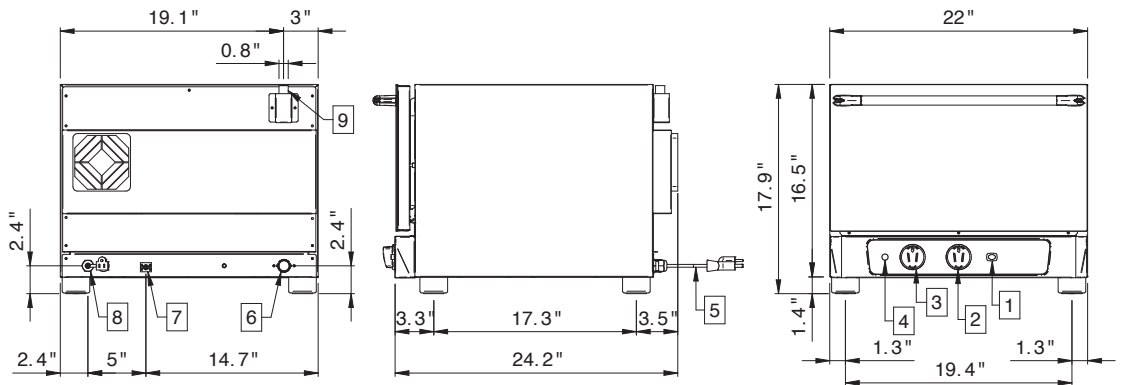


**STACKING KIT "5" SERIES**  
CODE: 124-KIT5

- Stacking kit for "5" Series

## LINE DRAWINGS

AX-513RH



3560 NW 56th Street  
Fort Lauderdale, FL, United States 33309  
Telephone: 786.600.4687 / Toll Free: 844.218.8477  
Fax: 786.661.4100

5659 Royalmount Ave.  
Montreal, QC, Canada H4P 2P9  
Telephone: 514.737.9701 / Toll Free: 888.275.4538  
Fax: 514.342.3854 / Toll Free: 877.453.8832  
sales@mvpgroupcorp.com / mvpgroupcorp.com