



SRCO-E SRCO-2E

PROJECT NAME: _____

LOCATION: _____

ITEM: _____ QTY: _____

MODEL: _____

ELECTRIC CONVECTION OVENS

The SRCO features a modern look and design, form and function for the most demanding kitchens at an affordable price.

The SRCO-E Single Oven comes with the SRCO-LK leg kit, including 4 legs with locking casters

The SRCO-2E Double Stacked Ovens come with the SRCO-SK stacking kit, including heavy duty casters (locking in front), separator tray, exhaust flue extension and mounting hardware.



SRCO-E with 118-SRCOLK



SRCO-2E with 118-SRCOSK

STANDARD FEATURES

- Power 10kW, 208-240V single phase/three phase-(Please select phase when ordering) (cordset not included, must be hardwired).
- 26" legs on single stack unit for easy access.
- Electronic ignition
- Dial type easy to use thermostat
- Temperature range 150-500°F (65-260°C)
- Electronic one hour timer with alarm buzzer to alert employees and prevent overcooking
- Two Halogen interior lights
- Independent doors with full view windows
- 2-speed, 1/2 hp fan motor (1724, 1140 rpm) for even heat distribution Forced "cool down" fan mode
- Exterior stainless front, top and sides
- Porcelain enamel interior for easy cleaning
- 5 Nickel plated Heavy Duty Racks with eleven position interior rack guide
- Single or three phase connection Insulated
- Cooking chamber reduces heat loss and saves energy
- ETL Safety and Sanitation Certified.



Tel.: 786.600.4687 / Toll Free: 844.218.8477
Fax: 786.661.4100



Tel.: 514.737.9701 / Toll Free: 888.275.4538
Fax: 514.342.3854 / Toll Free: 877.453.8832
sales@mvpgroupcorp.com



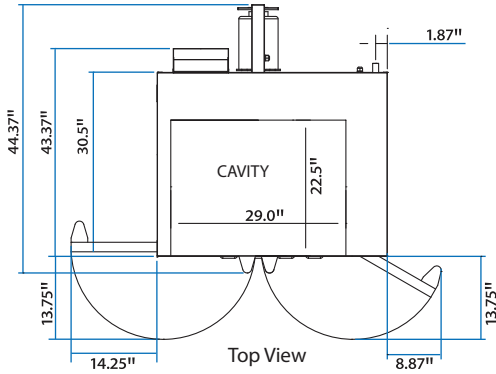
www.mvpgroupcorp.com



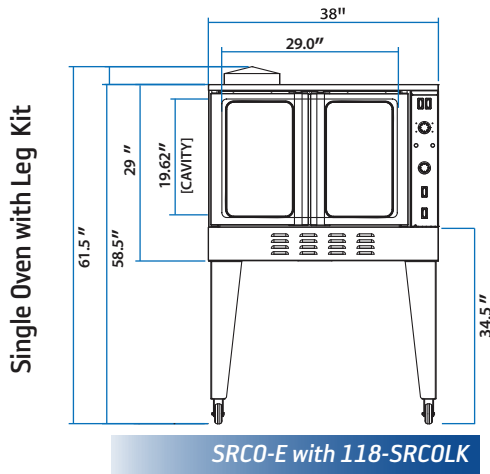
TECHNICAL DRAWINGS

SPECIFICATIONS

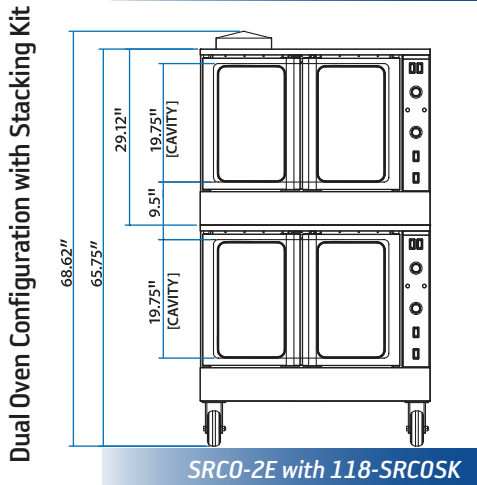
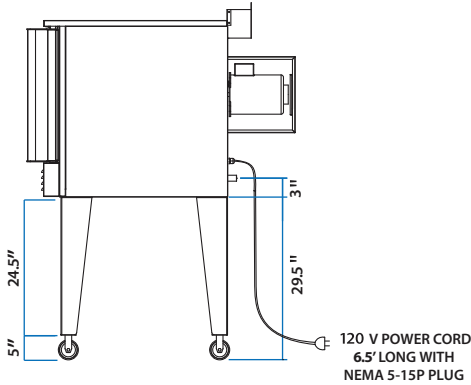
MODEL NUMBER	SRCO-E	SRCO-2E
EXTERNAL DIMENSIONS (WxDxH)	38.12" X 44.37" X 60"	38.12" X 44.37" X 65.62"
INTERNAL DIMENSIONS (WxDxH)	29" X 22.5" X 19.75"	29" X 22.5" X 19.75"
RACK CLEARANCE	28" WIDTH, 21" DEPTH	28" WIDTH, 21" DEPTH
SHIPPING WEIGHT	510 LBS	1240 LBS
LEG OR STACKING KITS		
SINGLE OVEN - 118-SRCOLK	29.9" X 18.1" X 8.7" H, 2.7 cu ft. 41 lbs.	
DUAL OVEN - 118-SRCOSK	38.2" X 11.8" X 6.7" H, 1.7 cu ft. 35 lbs.	



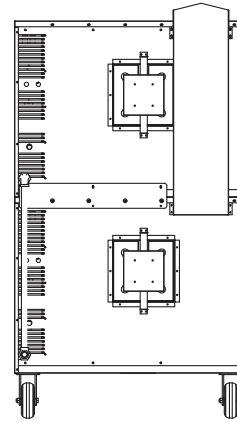
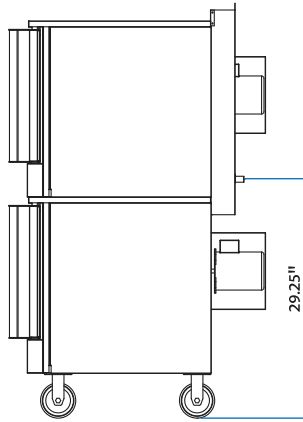
Top View



SRCO-E with 118-SRCOLK



SRCO-2E with 118-SRCOSK



Warranty: 12 months parts & labor.

Electrical Specifications:

Voltage: 208-240V, Power: 10KW, Amps Three Phase: 31-27A
 Voltage: 208-240V, Power: 10KW, Amps Single Phase: 53-46A

SIERRA is a registered trademark of **MVP Group**.

Due to continuing product development, to ensure best possible performance, the specifications are subject to change without prior notice.



Tel.: 786.600.4687 / Toll Free: 844.218.8477
 Fax: 786.661.4100

3560 NW 56th St.
 Fort Lauderdale, FL 33309 USA



Tel.: 514.737.9701 / Toll Free: 888.275.4538
 Fax: 514.342.3854 / Toll Free: 877.453.8832
 sales@mvpgroupcorp.com

5659 Royalmount Ave.
 Montreal, QC H4P2P9 CANADA



www.mvpgroupcorp.com