

PROJECT:	
MODEL #:	
ITEM #:	QTY:
AVAILABLE W/H:	APPROVAL:

## Keg Coolers



BDD69-3B-HC



BDD59-2B-HC



BDD23-1B-HC



BDD90-4B-HC

## STANDARD FEATURES

### Cabinet construction

- Stainless steel top with black vinyl coated steel walled exterior. Interior is galvanized steel with stainless steel floor.
- High density foamed in place polyurethane insulation – Environmentally safe.
- Two (2) adjustable shelves per section
- Interior height allows stacking of three “tall boy” beers
- Standard 12” stainless steel beer tower

### Refrigeration

- Hydrocarbon refrigerants (R-290) – increases energy efficiency by up to 25% compared to using HFC refrigerants. It is safer for the environment and does not cause ozone depletion.

- Front breathing, side mounted compressor unit. Compressor configuration allows unit to be efficient in narrow spaces and be serviced without being moved.
- Epoxy coated evaporator reduces potential corrosion
- Innovative hot gas frame heating system reduces condensation and increases energy efficiency.
- Refrigerators have a temperature range between 33°F ~ 39°F
- Automatic defrosting

### Doors

- Black recessed door handles
- Durable gasket with easy replacement.
- Standard door locks

### Lighting

- Interior LED lighting

### Standard

- NSF/ANSI Standard 7 compliant

### Connection

- 9 ft long flexible three wire cord with molded plug

### Optional Features & Accessories

- 6” legs available
- 4” caster standard on BDD23-1B-HC model

### WARRANTY

3 Years Parts and Labor  
5 Years on Compressor in USA

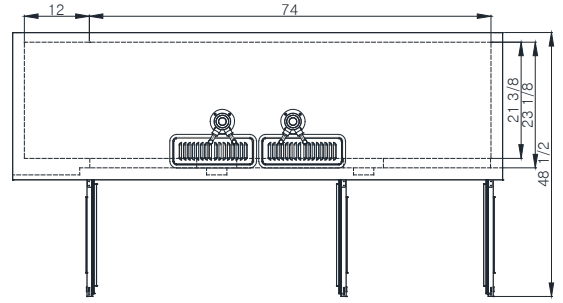
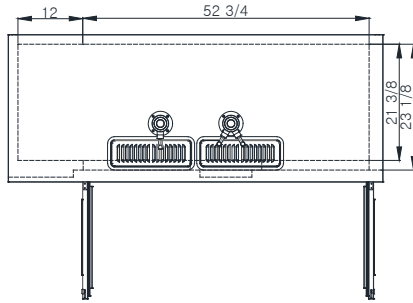
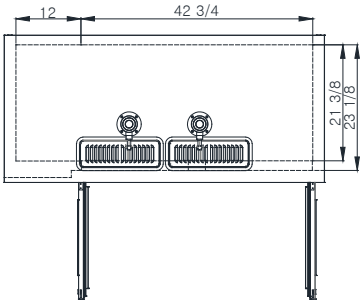
### APPROVALS:

### AVAILABLE AT:

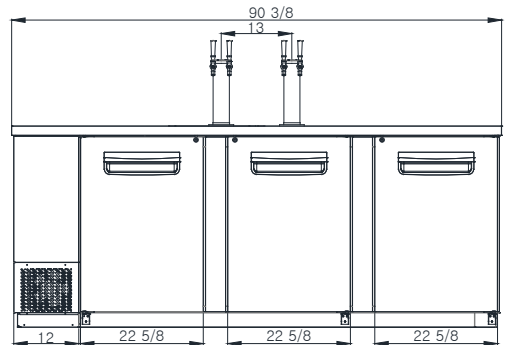
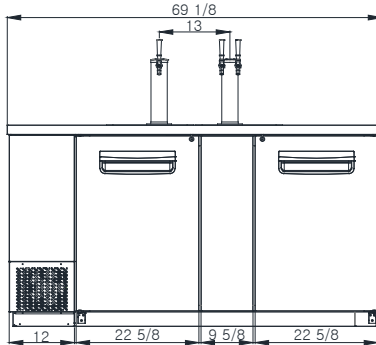
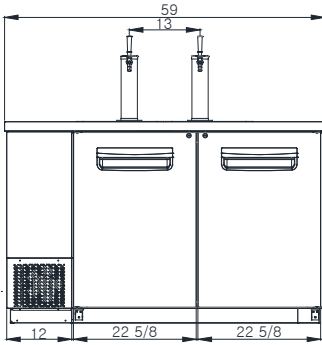
# Keg Coolers

## PRODUCT PLAN VIEW

- Top View -



- Front View -

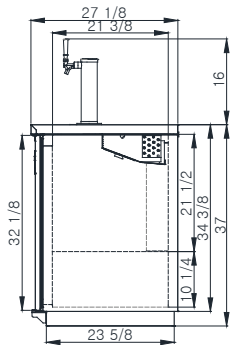


**BDD59-2B-HC**  
**BDD59-2S-HC**

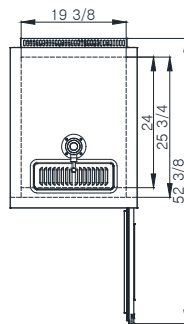
**BDD69-3B-HC**  
**BDD69-3S-HC**

**BDD90-4B-HC**  
**BDD90-4S-HC**

- Side View -

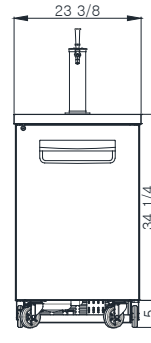


- Top View -

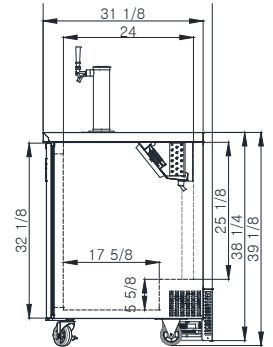


**BDD23-1B-HC**  
**BDD23-1S-HC**

- Front View -



- Side View -



## PRODUCT SPECIFICATION

### Keg Coolers

Model	Product Description			Refrigerant	Temperature Range		Easy Maintenance			Cord Length (ft/m)		
	Key Coolers			R-290	33°F ~ 39°F		Sliding Condensing Unit			9.8ft (3m)		
	Doors	Capacity (Cu.Ft.)	Half Barrels	Cabinet Dimensions (inches / mm)			HP	Voltage	Amps	NEMA config.	Weight (lbs / kg)	
L				D	H	Net Weight					Ship Weight	
BDD23-1B(S)-HC	1	7.9	1ea	23 3/8" (595mm)	31 1/8" (792mm)	39 1/8" (995mm)	1/4	115V / 60Hz	3.0	NEMA 5-15	126 (57)	132 (60)
BDD59-2B(S)-HC	2	19.4	2ea	59" (1500mm)	27 1/8" (688mm)	37" (940mm)	3/8	115V / 60Hz	3.5	NEMA 5-15	216 (98)	236 (107)
BDD69-3B(S)-HC	2	23.4	3ea	69 1/8" (1755mm)	27 1/8" (688mm)	37" (940mm)	3/8	115V / 60Hz	3.5	NEMA 5-15	240 (109)	302 (120)
BDD90-4B(S)-HC	3	31.6	4ea	90 3/8" (2295mm)	27 1/8" (688mm)	37" (940mm)	3/8	115V / 60Hz	3.5	NEMA 5-15	298 (135)	331 (150)

\*BLUE AIR has the right to change specifications without further notice.