

MAXIMIZER

Gas Pizza Ovens

MODEL CW200P

General Features:

- **Quality Construction** for long life
- **Stainless Steel Front Standard**
- **Pizza Decks Standard**
Large 52"x36"x9" compartment
1½" pizza stones
- **Large Capacity**
Forty 9" (22.9cm) pizzas,
Twenty four 12" (30.5cm) pizzas,
or Twelve 16" (43.2cm) pizzas
- **Energy Efficient**
New energy-saving
"Power-Pak" burner system
coupled with our unique baffle
system for even heat and
better baking
- **Full Range Thermostat**
300°F - 650°F (149°C - 343°C)
- **Space Saver**
Only 60" wide
- **Stacked**
Double cooking capacity
- **Easily Serviceable**
All controls can be replaced
from the front of the unit
- **Power**
Gas - LP or NAT
- **Specific features**
of the CW200P listed back

Warranty:

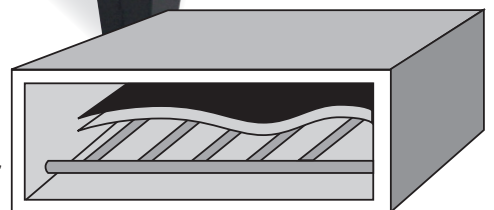
- One year parts and labor



**GAS
FIRED**



Hearth
Baffle
Burner

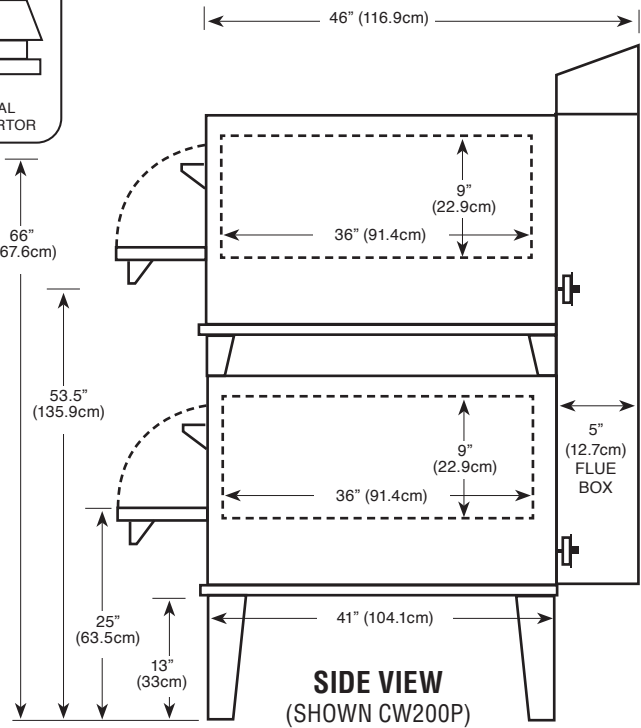
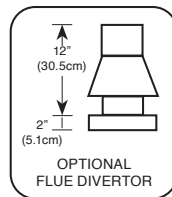
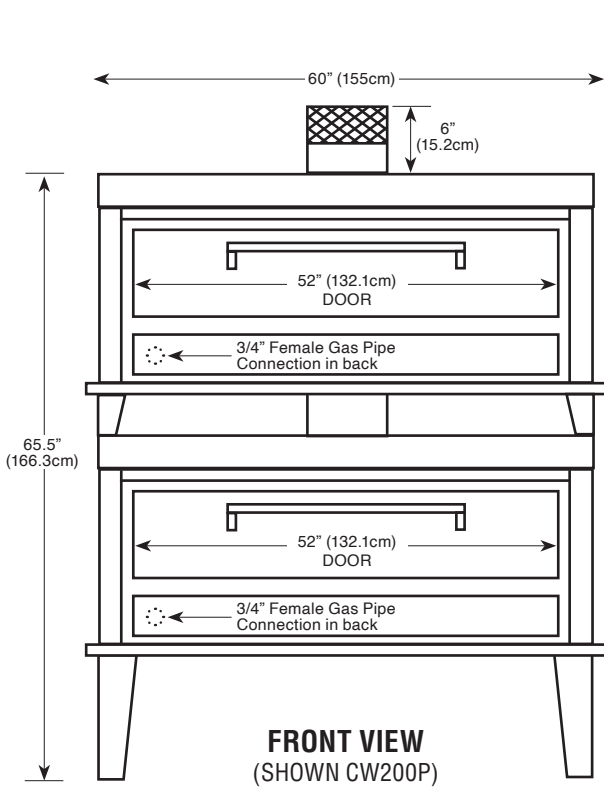


"Power-Pak" 5-Cell Burner System

MORE FOR LESS

More Cooking Space per Floor Space
More Cooking Capacity per Sales Dollar
More Performance per Gas Dollar





FRONT VIEW
(SHOWN CW200P)

SIDE VIEW
(SHOWN CW200P)

Floor space	60" (155cm) wide x 46" (116.9cm) deep* x 65.5" (166.3cm) high
Shelf size	52" (132.2cm) wide x 36" (91.5.3cm) deep x 9" (22.9cm) high
Shipping weight	Two @ 725 lbs (328.8kg)
Capacity	Forty 9"(22.9cm), twenty-four 12"(30.5cm) or twelve 16"(43.2cm) pizzas
Gas	Maximum 100,000 (each) BTU input
Opening required for installation: 27"	* Handle adds 2.5"(6.4cm) to depth



Large capacity 52"x36"x1.5" Deck

Durable Construction

The CW200P is built with *prime 16-gauge cold-rolled top* and 18-gauge sides with a 12-gauge base. The *interior is made of Armco Type 1, 16-gauge aluminized steel*. Also, the CW200P comes standard with a *stainless steel front* made of high quality 18-gauge stainless steel; the door interior is 18 gauge stainless as well.

Energy Efficiency

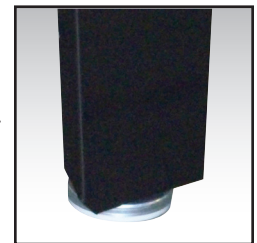
The CW200P is equipped with our *new energy-saving "Power-Pak" 5-cell burner system* and our unique baffle system. These make the oven highly efficient and helps eliminate hot spots. The *heavily insulated walls*, coupled with our *special vent system*, reduces heat loss yet keep your gas dollars from going up the stack. The CW200P is well-powered by 100,000 BTUs which *increases its efficiency and recovery rate*.

Capacity

The CW200P has a super size *52"x36"x9" deck*. Actual cooking capacity depends on the size of the pizza you are cooking. The CW200P will hold at least forty (40) 9" pizzas, twenty-four (24) 12" pizzas, or twelve (12) 16" pizzas. Cooking time will vary according to product, but will average between 6-8 minutes.

Space Saver

Because the controls are under the door, the CW200P requires *less installation space* than our competition. This enables you to free up valuable kitchen and /or hood space. The actual width needed is a *mere 60" for one super size 52"x36" deck*, almost a foot less than the competition.



Adjustable Legs

Design Plus

The CW200P has the *controls in lower front for ease of operation and space savings*. This also places the controls in their own *air-conditioned area* so they are not affected by outside influences. In addition, the CW200P is *totally thermocoupled* and allows you to replace individual parts as opposed to throwing away the whole system.

